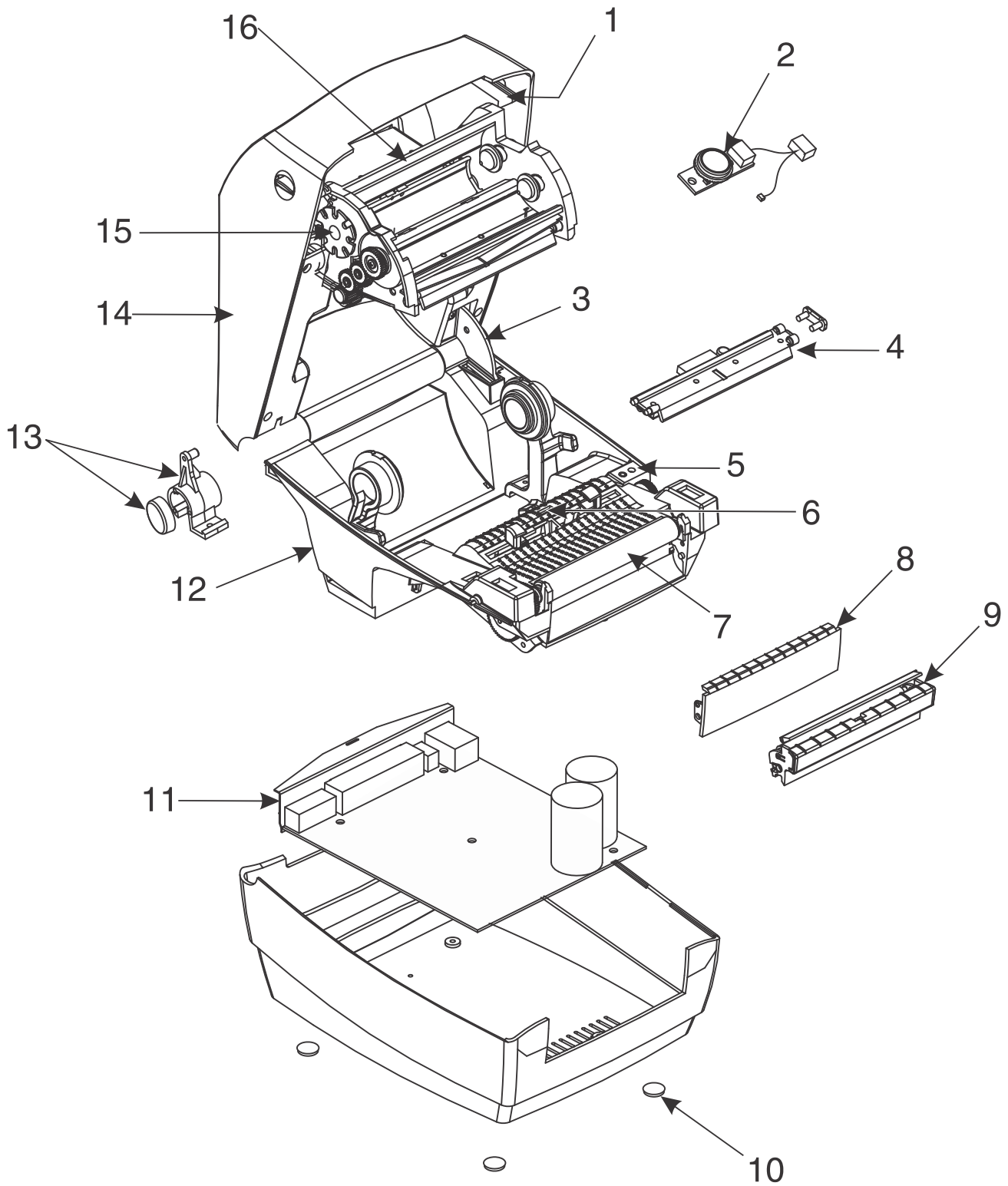


GC420t



Spare Parts List Desktop Printers

GC420t

Item #	Description	Part Number	Support Qty. ¹
1	Latch Assy.	105910-052	4
2	Feed Switch/Sensor Assy. (set of 3)	G105910-064	8
3	Upper Cover Support (set of 3)	G105910-066	4
4	Printhead Assy., (203 dpi) Print Head Cable Assy.	G105910-053 105910-065	4 4
5	Head Up Sensor	G105916-015	4
6	Gap/Blackline Sensor PCBA (set of 3)	P1012845-002	4
7	Platen Kit, std. (set of 3)	105910-055	4
8	Front Bezel, std. (set of 10)	105910-057	4
9	Front Bezel, Dispenser Label Taken Sensor PCBA (set of 3)	P1031815-013 P1031815-012	4 8
10	Rubber Foot Kit (set of 24)	105910-007	4
11	Main Control PCBA, Ser./USB/Par., Cutter Main Control PCBA, Ethernet/USB, Cutter	P1031815-019 P1031815-020	4 4
12	Lower Frame Assy.	P1031815-014	4
13	Cover Hinge (set of 10)	G105910-074	4
14	Upper Cover Assy.	P1031815-015	4
15	Ribbon Out Sensor (set of 3)	G105910-067	4
16	Ribbon Carriage w/o print head	G105910-061	4
Not Shown	Motor (set of 2)	G105910-051	1
	Nameplate GC420t	P1031815-022	1
	Power Supply, 60W, 20V, with US Cord	P1012845-011	4
	Power Supply, 60W, 20V, with UK and EU Cords	105950-076	4
	Power Cord, US (Set of 5)	105950-061	1
	Power Cord, Euro (Set of 5)	105950-062	1
	Power Cord, U.K (Set of 5)	105950-063	1
	Power Cord, Australia (Set of 5)	105950-064	1
	Power Cord, Argentina (Set of 5)	105950-066	1
	Power Cord, Brazil (Set of 5)	P1037999	1
	Users CD-ROM	P1031815-024	A/R
	Service CD-ROM	P1050233-001	A/R
	Shipping Pack	105950-050	A/R

Notes: 1 - Recommended quantity to support 100 printers.

For the latest spare parts and support information, please go to the Zebra WEB site at:
<http://www.zebra.com/support>