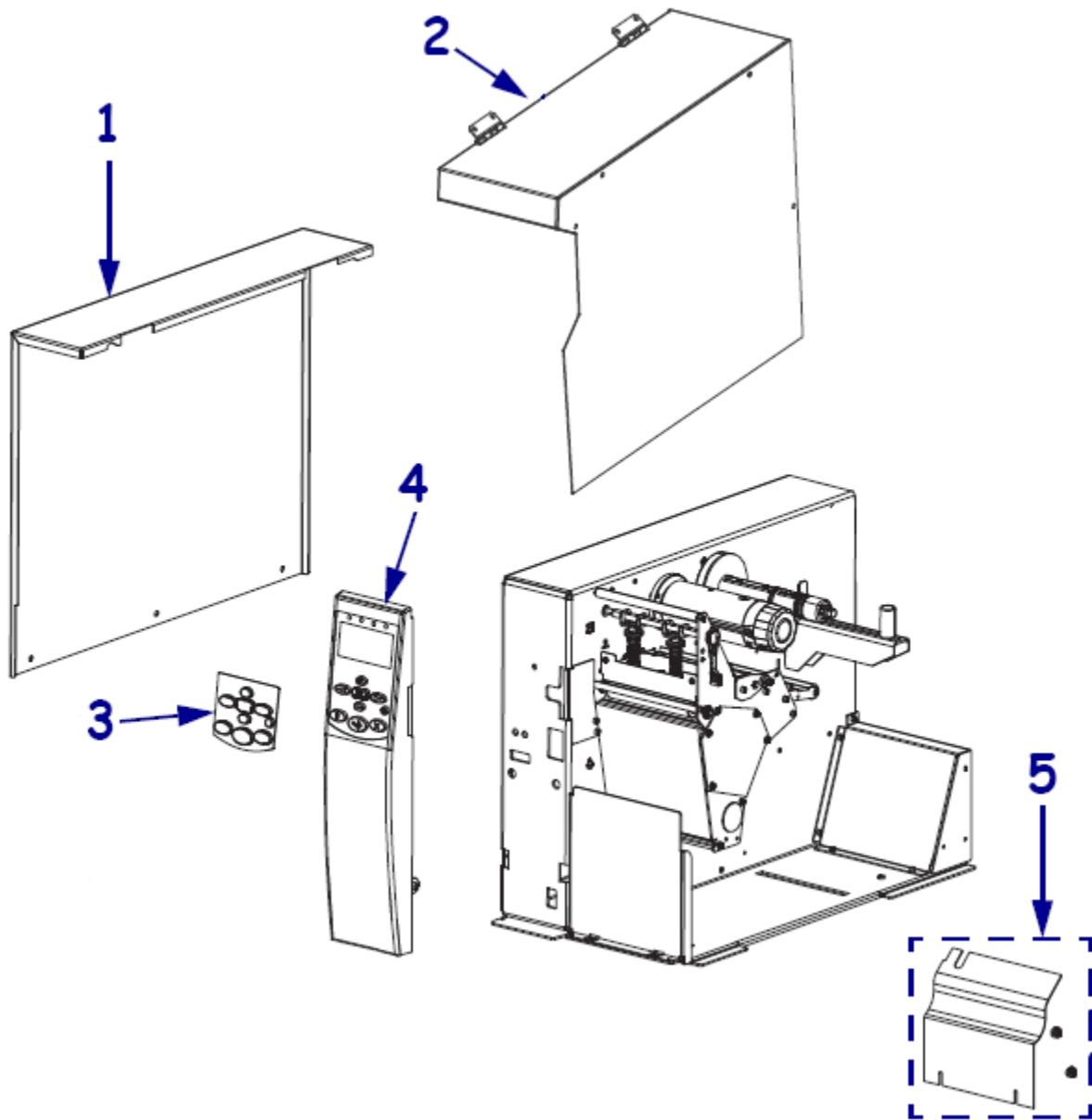


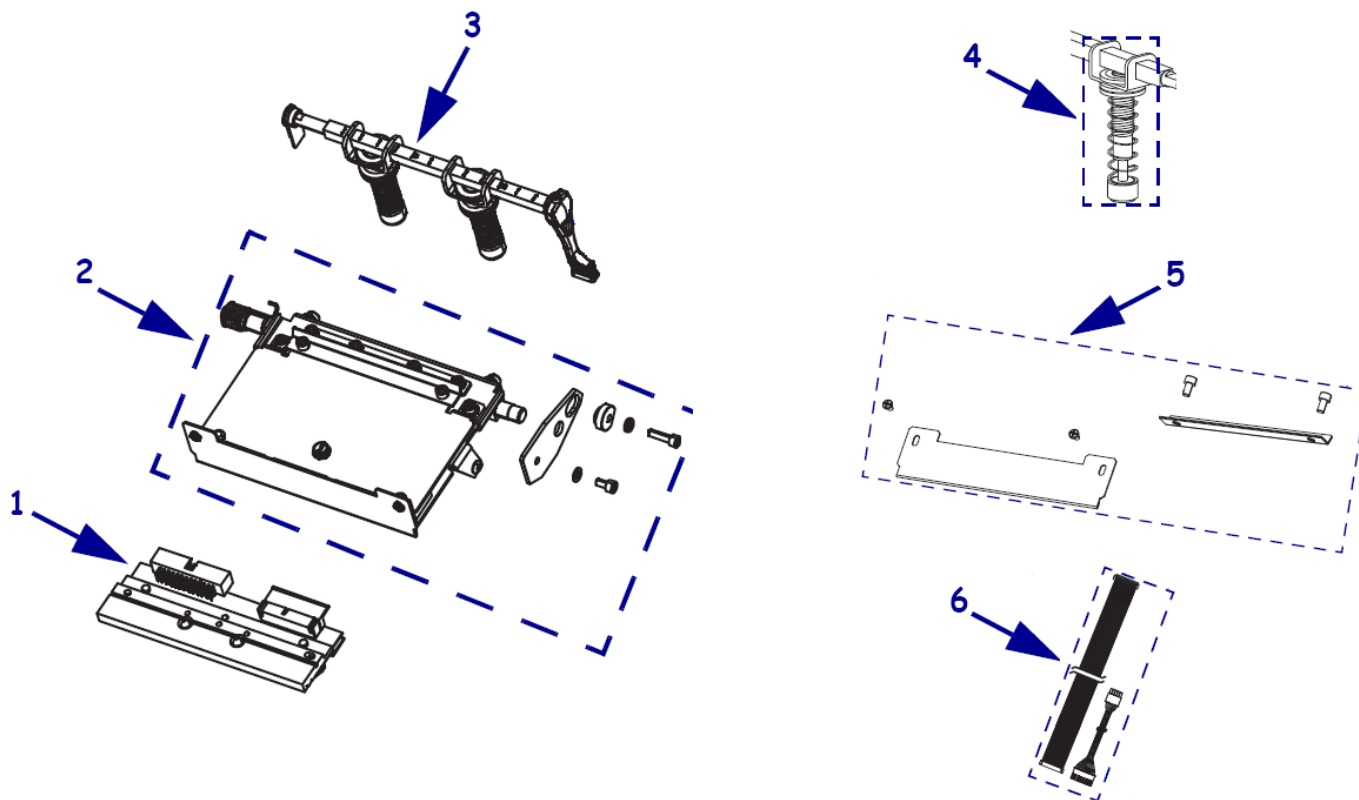
Outer Casing Components



Item Number	Description	Part Number	Kit Quantity
1	Kit Electronics Cover 105SLPlus & Xi4 Series	P1006034	1
2	Kit Media Cover 105SLPlus	P1053360-005	1
3	Kit Covers for the Control Panel (3 pack) 105SLPlus & Xi4 Series	P1007546	3
4	Kit Control Panel 105SLPlus	P1053360-003	1
5	Kit Front Plate for Tear models 105SLPlus	P1053360-006	1

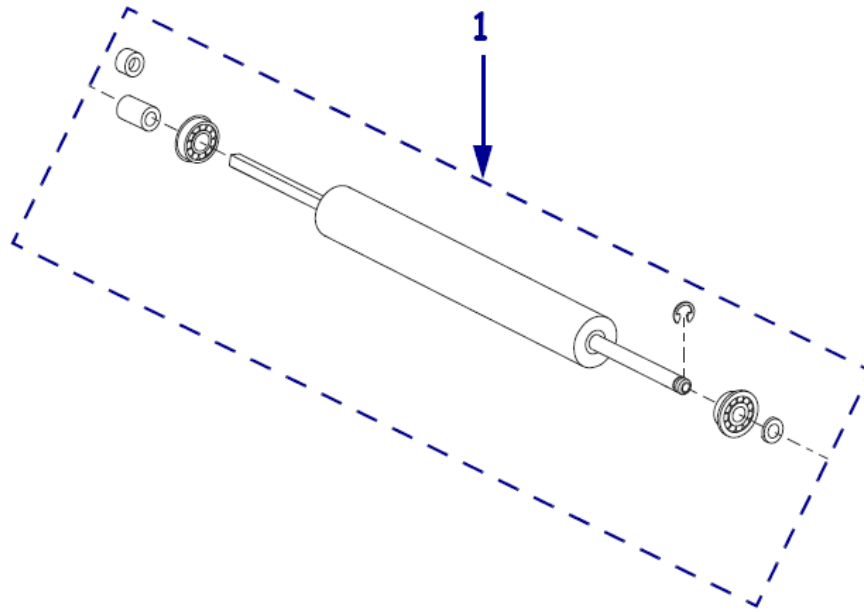
105SLPlus Parts Catalog

Print Mechanism Components



Item Number	Description	Part Number	Kit Quantity
1	Kit Printhead 203 dpi 105SLPlus	P1053360-018	1
1	Kit Printhead 300 dpi 105SLPlus	P1053360-019	1
2	Kit Print Mechanism Hardware 105SLPlus	P1053360-010	1
3	Kit Pivot Bar & Toggle Assemblies 105SLPlus & 110Xi4	G41022M	1
4	Kit Toggle Assembly Only 105SLPlus & 110Xi4, 140Xi4, 170Xi4	35099M	1
5	Kit Ribbon Strip Plate and Ribbon Static Brush 105SLPlus & 110Xi4	P1006095	1
6	Kit Cables for Printhead (power, data, ground) 105SLPlus & Xi4 Series	P1006140	1

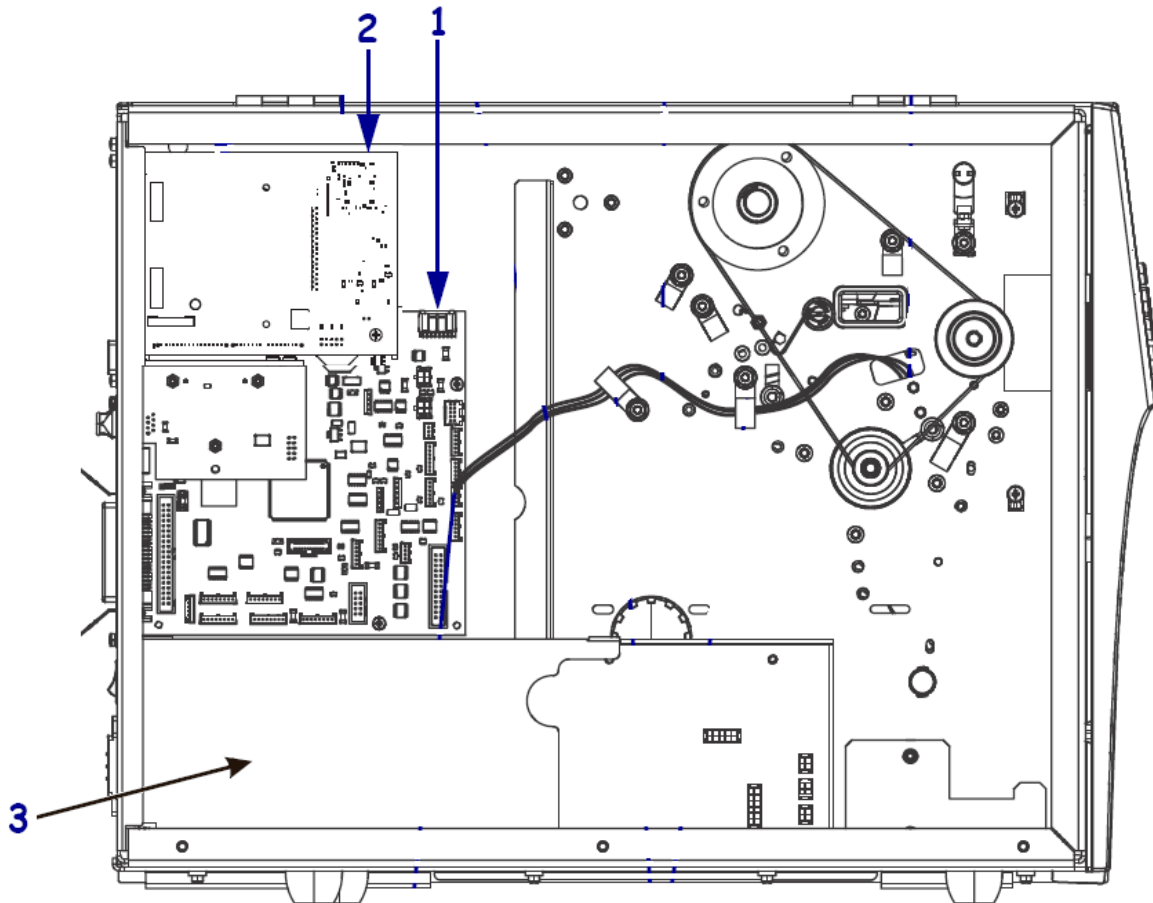
Platen Roller



Item Number	Description	Part Number	Kit Quantity
1	Kit Platen Roller 203 dpi & 300 dpi 105SLPlus & 110Xi4	G41011M	1

105SLPlus Parts Catalog

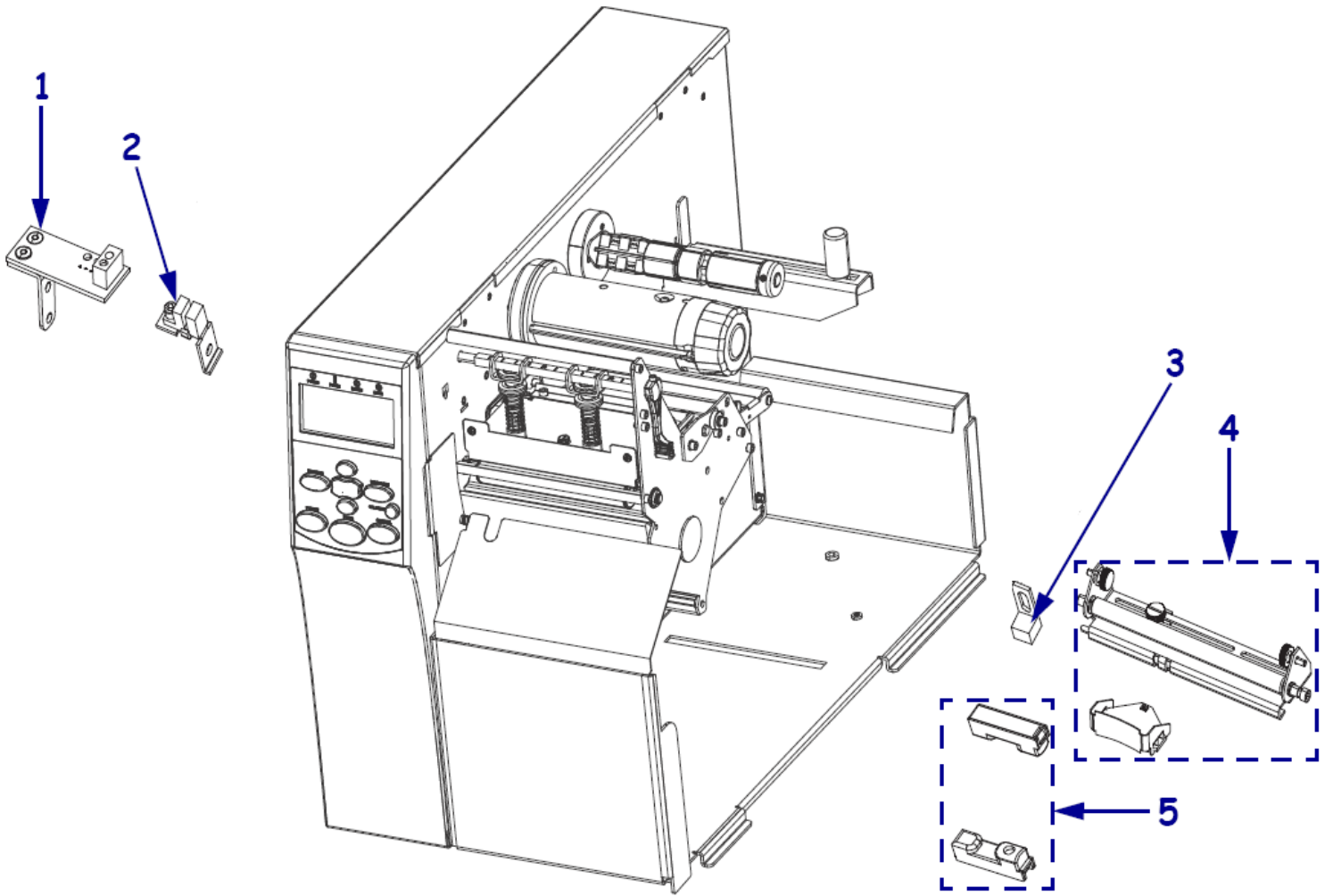
Electronics



Item Number	Description	Part Number	Kit Quantity
1	Kit Main Logic Board 8MB 105SLPlus & Xi4 Series	P1053360-016	1
1	Kit Main Logic Board 64MB 105SLPlus & Xi4 Series	P1053360-017	1
2	Kit ZebraNet Wireless b/g Print Server 105SLPlus & Xi4 Series	P1032273	1
3	Kit Power Supply 105SLPlus	P1053360-001	1
	Kit Replacement Antenna for Wireless b/g Print Servers	P1032276	1
	Kit IPv4 Internal Print Server IPv4 105SLPlus & Xi4 Series	79823	1
	Kit IPv6 Internal Print Server IPv6 105SLPlus & Xi4 Series	P1007564	1
	Kit Electronics Cables (various power and data cables for electronics) 105SLPlus & Xi4 Series	P1006156	1
	USA Power Cord	46693	1
	Europe Power Cord	46629	1
	UK Power Cord	46637	1
	Japan Power Cord	37609	1
	China Power Cord	47612	1

105SLPlus Parts Catalog

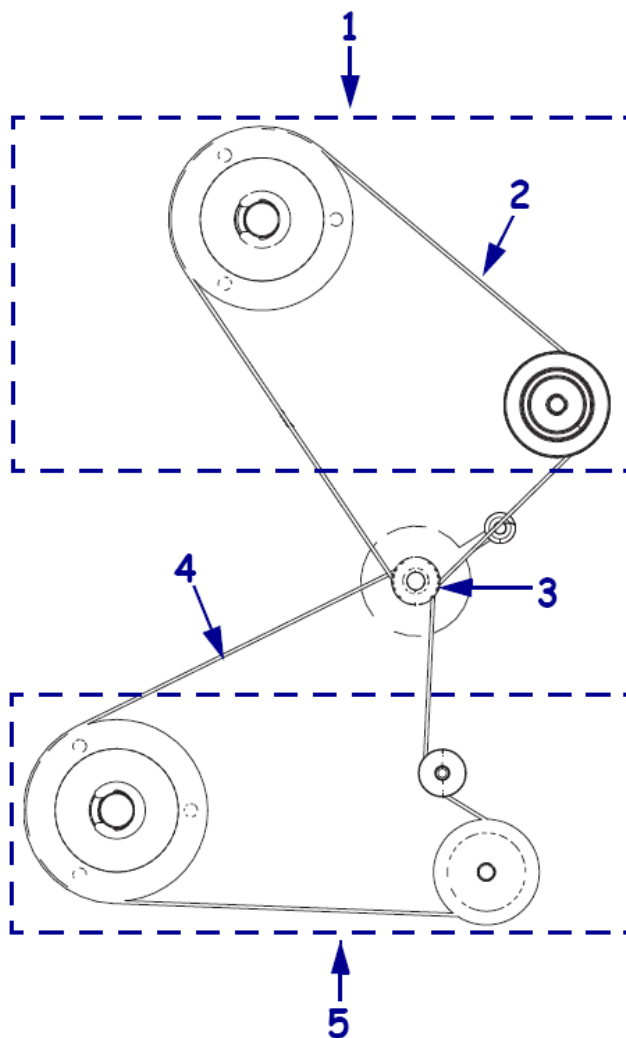
Sensors



Item Number	Description	Part Number	Kit Quantity
1	Kit Reflective Sensor (Black Mark) 105SLPlus & Xi4 Series	P1006135	1
2	Kit Printhead Open Sensor 105SLPlus & Xi4 Series	P1006137	1
3	Kit Ribbon Out Sensor 105SLPlus & Xi4 Series	P1006134	1
4	Kit Media Sensor 105SLPlus	P1053360-002	1
5	Kit Take Label Sensor 105SLPlus & Xi4 Series	P1006136	1
	Kit Flag for Printhead Open Sensor 105SLPlus & Xi4 Series	G46352M	1

105SLPlus Parts Catalog

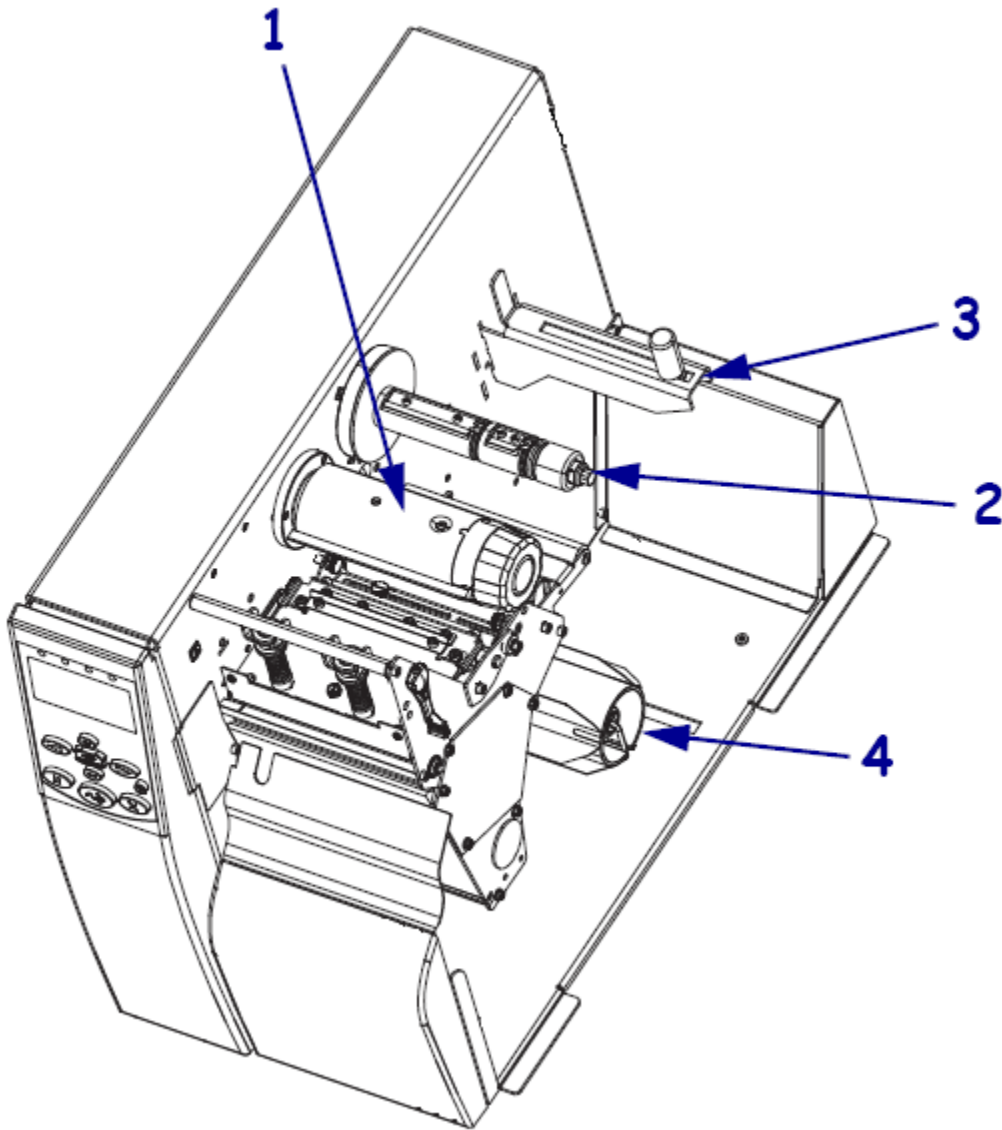
Drive System Components



Item Number	Description	Part Number	Kit Quantity
1	Kit Main Drive System (includes pulleys and belts for all dpi) 105SLPlus & X4 Series	P1006069	1
2	Kit Main Drive Belt for 105SLPlus (203 & 300 dpi)	P1006066	1
3	Kit Drive Motor with Pulley 105SLPlus (203 dpi)	G46198M	1
3	Kit Drive Motor with Pulley 105SLPlus (300 dpi)	G46199M	1
4	Kit Rewind Drive Belt for 105SLPlus (203 & 300 dpi)	P1006072	1
5	Kit Rewind Drive System (includes pulleys and drive belts for all dpi) 105SLPlus & X4 Series	P1006071	1

105SLPlus Parts Catalog

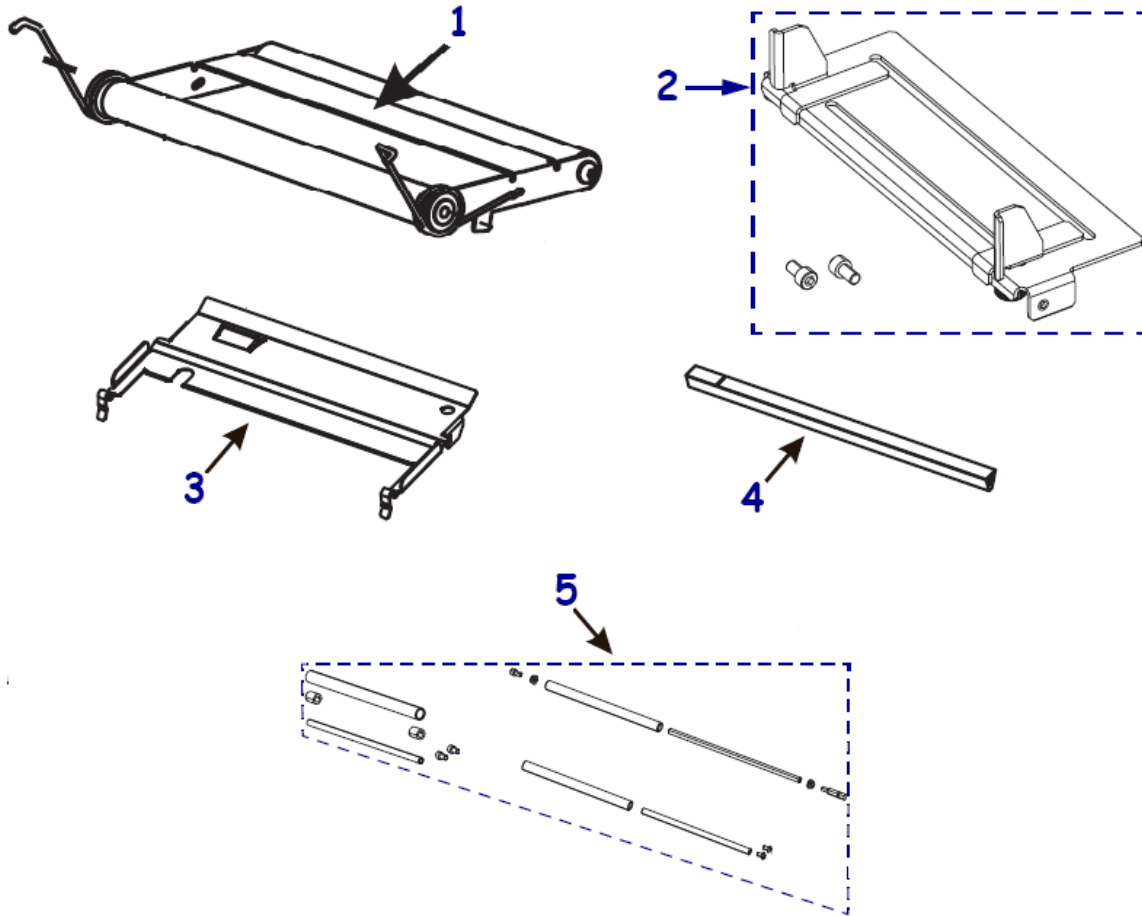
Media and Ribbon Spindles



Item Number	Description	Part Number	Kit Quantity
1	Kit Ribbon Take Up Spindle 105SLPlus & 110Xi4	G41150M	1
2	Kit Ribbon Supply Spindle 105SLPlus	P1053360-007	1
3	Kit Media Supply Hanger 105SLPlus	G45053M	1
4	Kit Media Rewind Spindle Replacement 105SLPlus & 110Xi4	G41155M	1

105SLPlus Parts Catalog

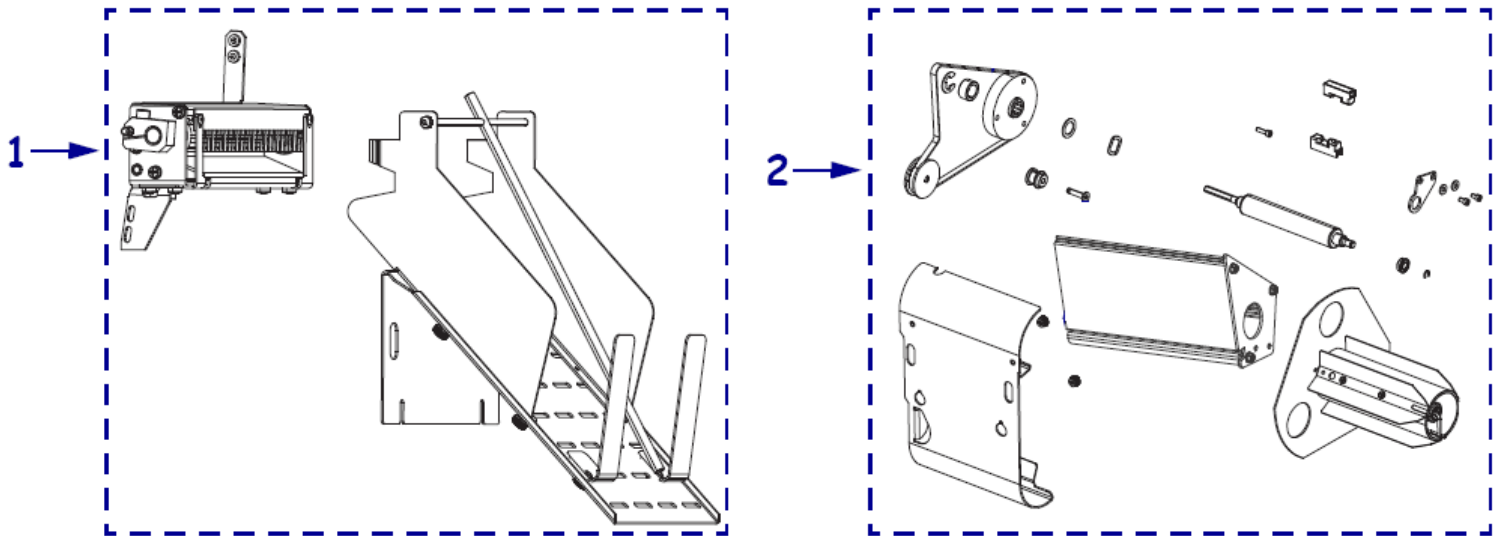
Dancer – Media Guide – Ribbon Rollers



Item Number	Description	Part Number	Kit Quantity
1	Kit Dancer Assembly 105SLPlus & 110X4	41691M	1
2	Kit Media Guide 105SLPlus & 110X4	P1006106	1
3	Kit Snap Plate (Media Guide Plate) 105SLPlus	P1053360-015	1
4	Kit Peel Tear Bar 105SLPlus & 110X4	P1006115	1
5	Kit Ribbon Rollers 105SLPlus	P1053360-009	1

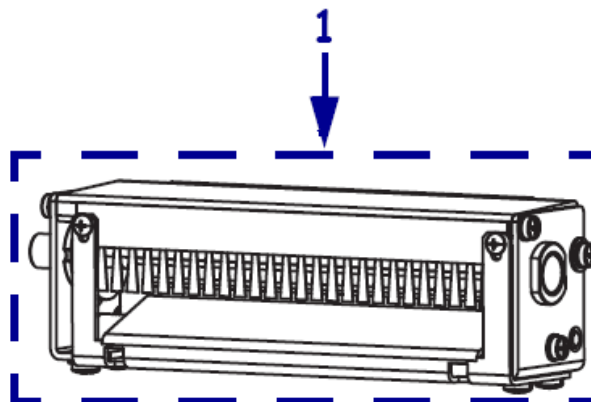
105SLPlus Parts Catalog

Media Handling Options

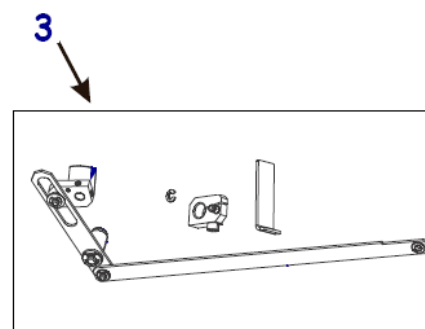
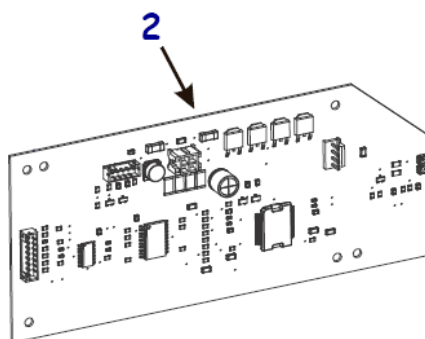
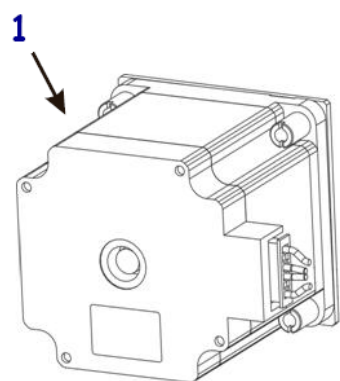


Item Number	Description	Part Number	Kit Quantity
1	Kit Cutter Option 105SLPlus & 110Xi4	P1018252	1
2	Kit Media Rewind Option for 203 & 300 dpi 105SLPlus	P1053360-011	1

Cutter Replacement Components

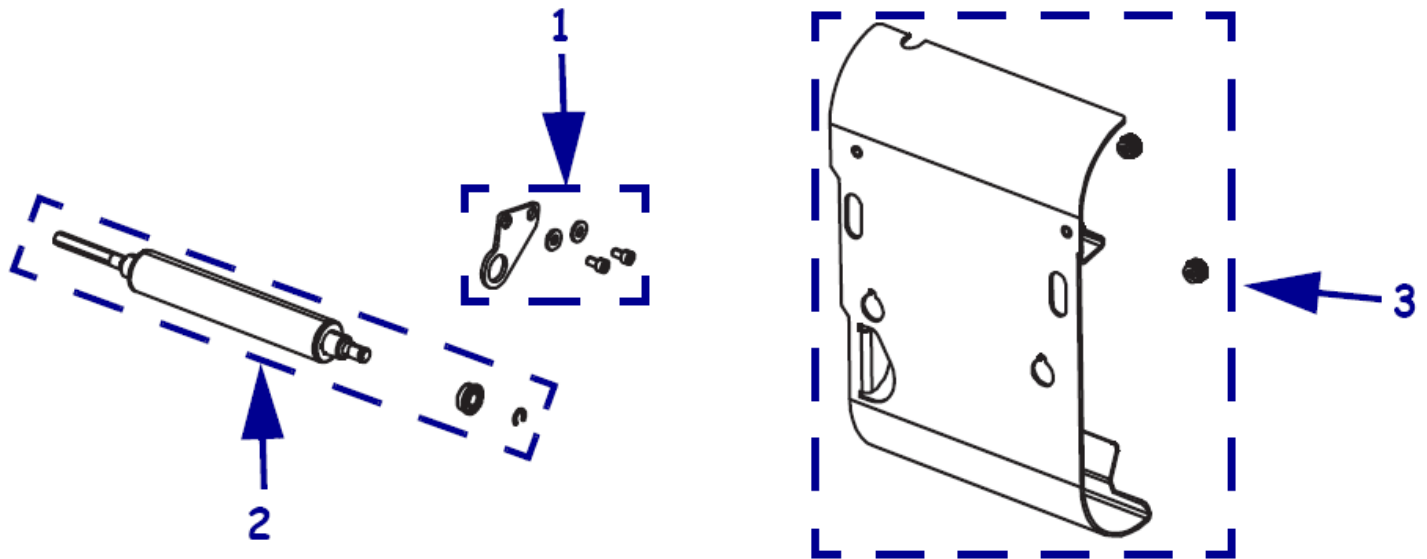


Item Number	Description	Part Number	Kit Quantity
1	Kit Cutter Module 105SLPlus & 110X4	P1006082	1
	Kit Tray for Cutter 105SLPlus & 110X4	G41387M	1
	Kit Static Brush for Cutter 105SLPlus & 110X4	P1006086	1
	Kit Mounting Brackets for the Cutter 105SLPlus & 110X4	P1006091	1



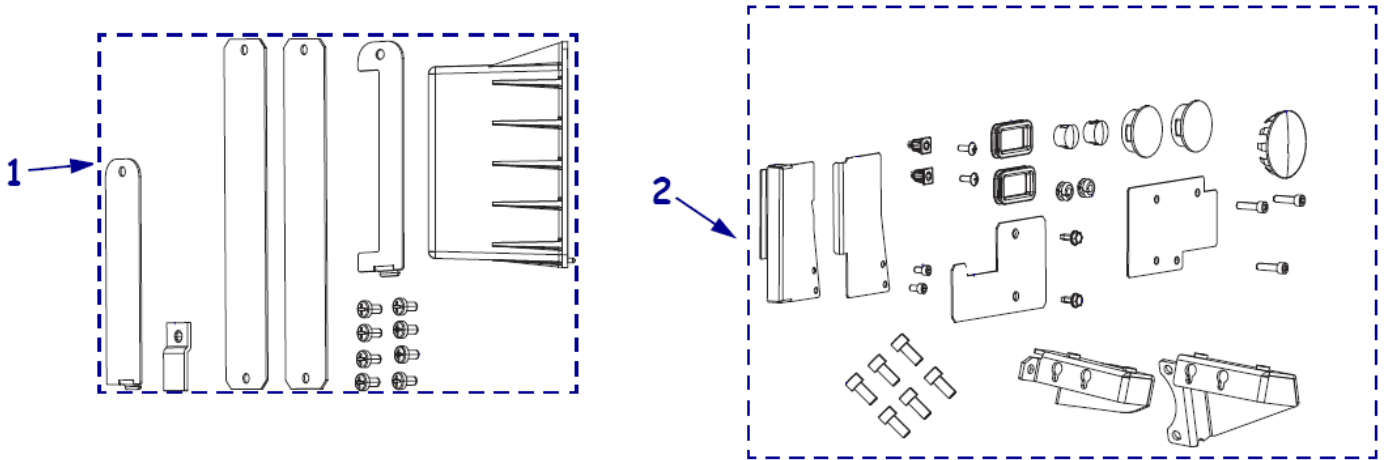
Item Number	Description	Part Number	Kit Quantity
1	Kit Drive Motor for Cutter Option 105SLPlus	P1018258	1
2	Kit Cutter PCB with integrated sensor 105SLPlus	P1018261	1
3	Kit Drive Linkage for Cutter Option 105SLPlus	P1053038	1

Media Rewind Replacement Components



Item Number	Description	Part Number	Kit Quantity
1	Kit Rewind Roller Adjustment Plate 105SLPlus & X4 Series	P1006105	1
2	Kit Rewind Roller 203 dpi & 300 dpi 105SLPlus & 110X4	G41011M	1
3	Kit Media Rewind Plate 105SLPlus & 110X4	G41383M	1
	Kit J Hook (2 pack) 105SLPlus & 110X4	P1006121	2

Covers for Option and Access Holes



Item Number	Description	Part Number	Kit Quantity
1	Kit Covers for electronic options 105SLPlus & X4 Series	P1006120	1
2	Kit Covers for option holes, access holes, sensor brackets, etc.. 105SLPlus	P1006119	1

Packing Materials for Printer Shipping

Item Number	Description	Part Number	Kit Quantity
	Kit Packaging Material Qty of 1 105SLPlus	P1053360-012	1
	Kit Packaging Material Qty of 8 105SLPlus	P1053360-013	8



Hardware

Item Number	Description	Part Number	Kit Quantity
	Cable Clamp 0.312" dia, Qty. of 25	HW01117	25
	Cable Clamp 0.500" dia, Qty of 25	HW06222	25
	Nut 6-32, Qty of 25	HW33809	25
	Nut 4-40 R S Zn Hx Elwash, Qty of 25	HW33823	25
	Crescent Ring Ext .250 Yel, Qty of 100	HW33810	100
	Screw 4-40 x .31, Qty of 25	HW78802	25
	Screw M4 x .7 x 5 Pn Ph Blk, Qty of 25	HW33826	25
	Bearing .500 x .252 x .250, Qty of 10	HW30198	10
	Bearing .375 x .189 x .125, Qty of 25	HW30199	25
	Washer Flt .564 x .384 x .060, Qty of 10	HW33806	10
	Screw 4-40 x .25 Tr Ph S, Qty of 25	HW32332	25
	Stop Head Lift Spring, Qty of 10	HW30266	10
	Washer .32 x .119 x .062 Neo Bl, Qty of 25	HW30494	25
	Plug Hole, Qty of 25	HW30826	25
	Washer Flt .207 x .146 x .030, Qty of 10	HW30956	10
	Washer .50 x .25 x .031, Qty of 25	HW43974	25
	Rubber Grommet 1.25 x .62 x .105, Qty of 10	HW46091	10
	Hole Plug, Qty of 25	HW46267	25
	Scrw 10-32 .312 Cp So H Bo, Qty of 25	HW30394-005	25
	Screw 1/4 x 20 x .38 Bu So H Bo, Qty of 25	HW30405-006	25
	Screw 4-40 x .375, Qty of 25	HW30406-006	25
	Screw 6-32 x 0.5, Qty of 25	HW30407-008	25
	Screw 6-32 0.37, Qty of 25	HW32413-006	25
	Screw 6-32 x .750, Qty of 25	HW32413-012	25
	Screw 4-40 3/16, Qty of 100	HW46882-003	100
	FUSE 5.00 SB 250V 3A, Qty of 25	HW49616-5.0	25
	Screw M4 x .7 x 10, Qty of 100	HWQ10011	100
	Ring E Ext .250, Qty of 100	HWQ10019	100
	Screw, 6-32 .125, Qty of 25	HW33828	25
	Screw, 8-32 .250, Qty of 25	HW33812-004	25
	Plate Washer, Qty of 10	HW32352	10
	Cvd Washer .344 x .172 x .006, Qty of 25	HW40194	25
	Head Open Flag, set of 50	HW46352	50
	Round Bumper Foot Qty of 25	HW33844	25