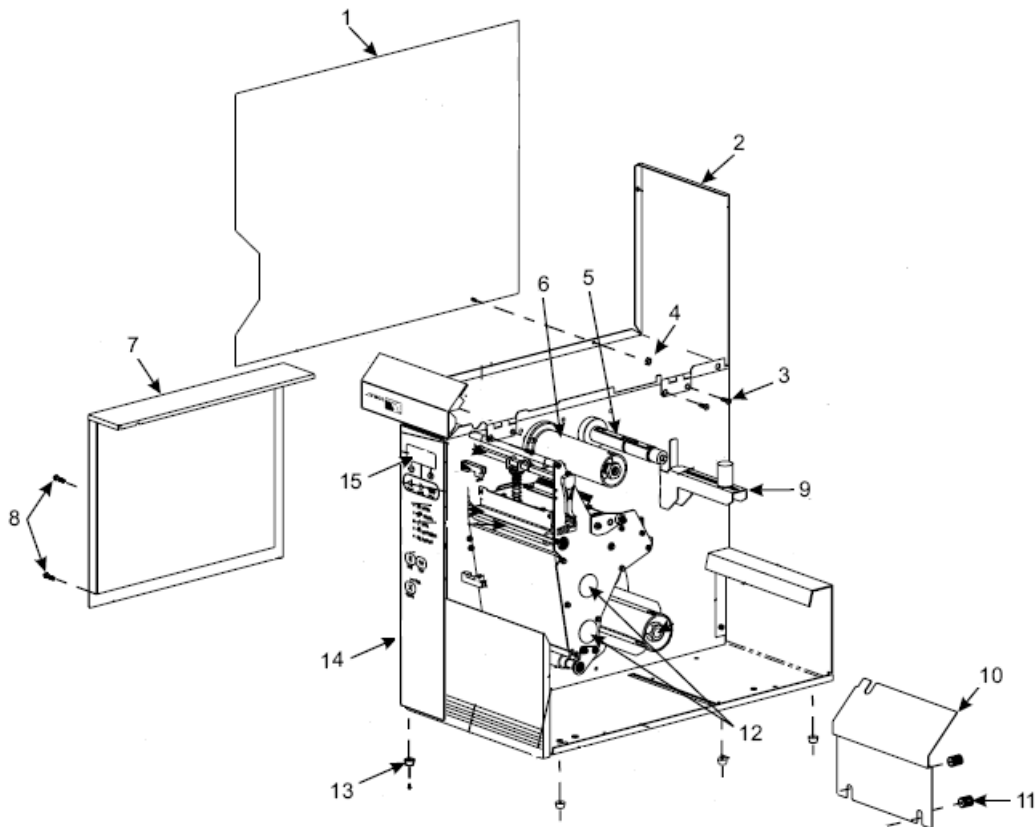


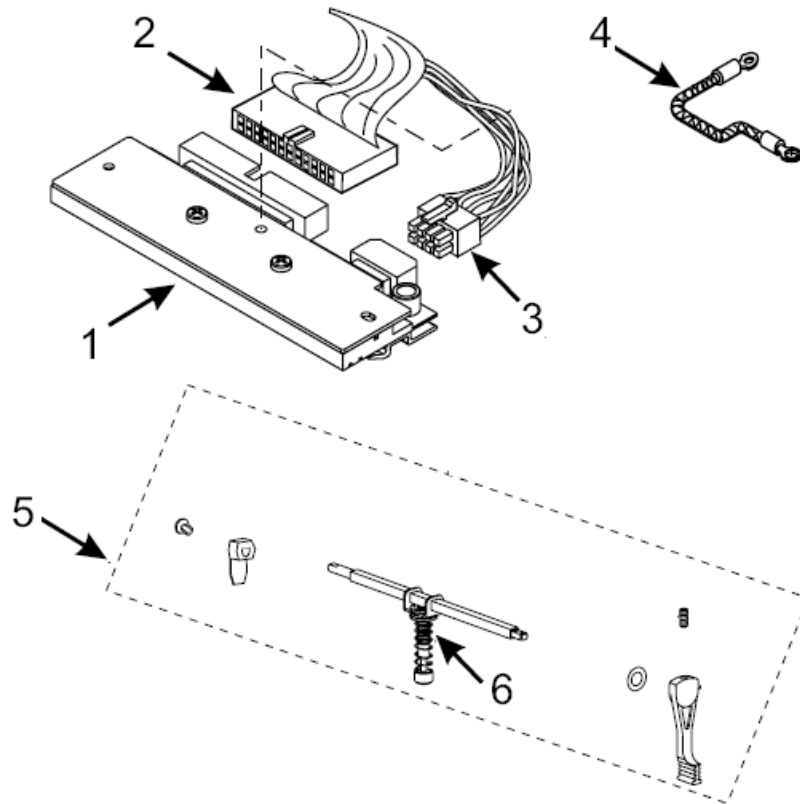
105SL Parts Catalog

Outer Casing and Media Side Assemblies



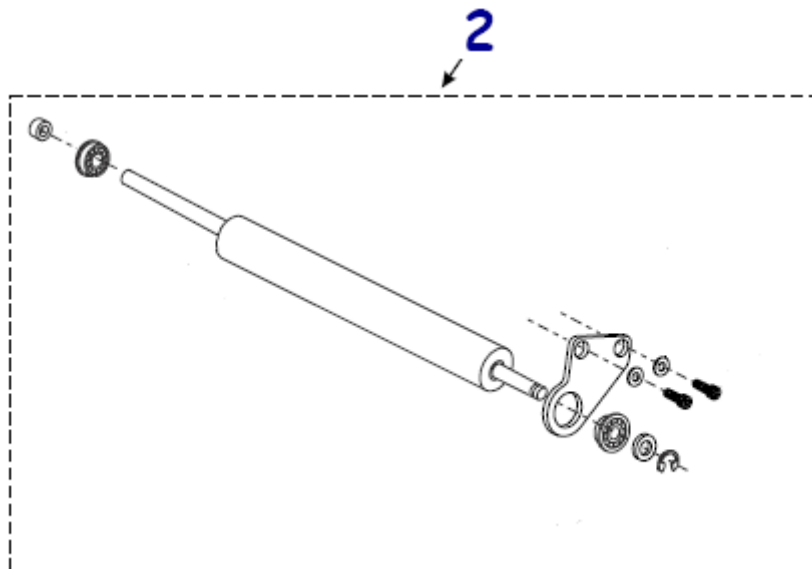
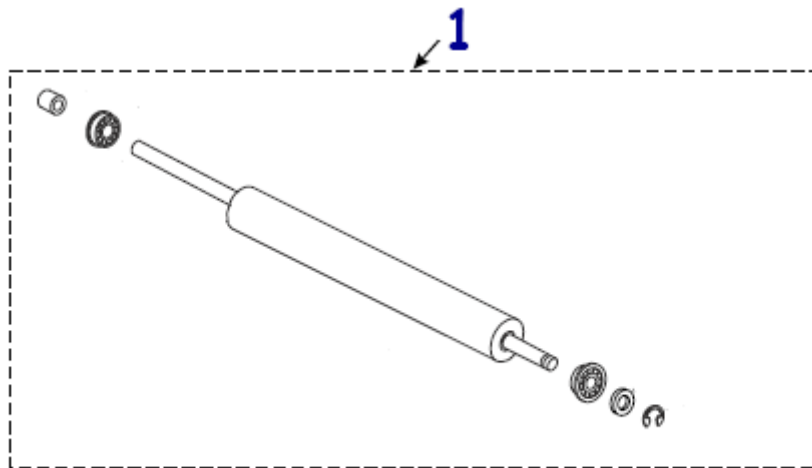
Item Number	Description	Part Number	Kit Quantity
1	Media Access Panel	31040	1
2	Kit Media Cover	32039M	1
3	Screw 6-32 x 0.5	HW30407-008	25
4	Nut 6-32	HW33809	25
5	Kit Ribbon Supply Spindle	32325M	1
	Ribbon Static Brush	31899	1
	Ribbon Strip Plate	48017	1
6	Kit 105SL Ribbon Take-Up Spindle	G40050M	1
7	Kit Electronics Cover	G32038M	1
8	Screw 6-32 0.37, Qty of 25	HW32413-006	25
9	Kit Media Supply Hanger for serial numbers greater than or equal to 6479154	G45053M	1
9	Kit Media Supply Hanger for serial numbers less than or equal to 6479153	G32053M	1
10	Front Cover Bracket	32342	1
11	Thumb Nut 6-32 x .50 Brass, Qty of 25	HW01815	1
12	Plug, Hole	HW30826	25
13	Bumper Foot Round, Qty of 25	HW33844	1
14	Kit Control Panel (Front Membrane Switch)	G32021M	1
15	Kit Display (LCD) Replacement	G32043M	1

Printhead Components



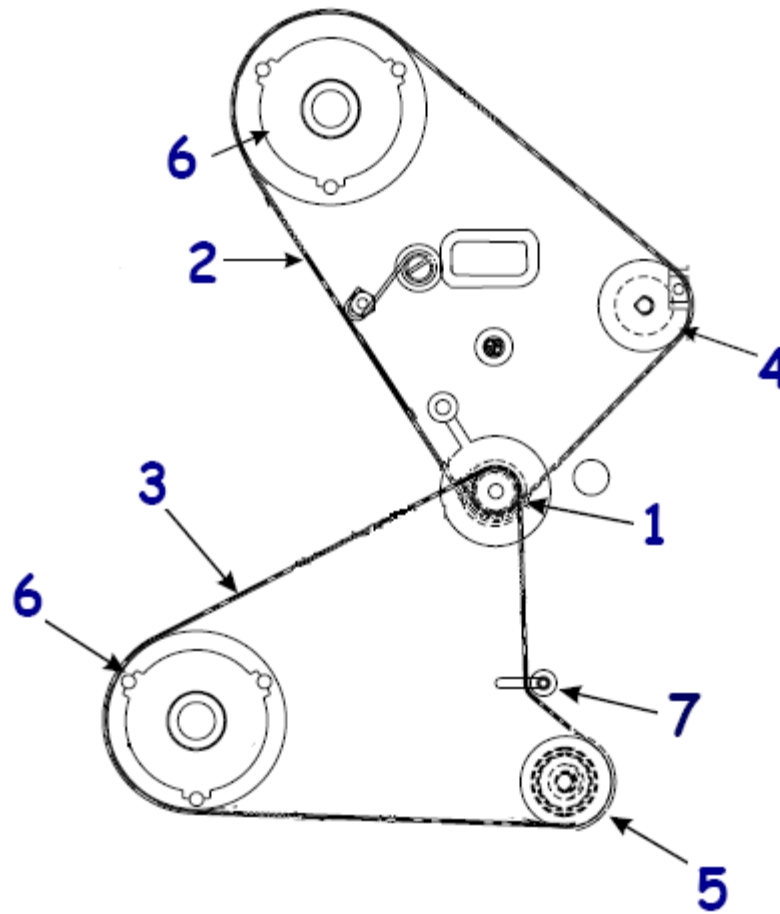
Item Number	Description	Part Number	Kit Quantity
1	Printhead 105SL 203 dpi	G32432-1M	1
1	Printhead 105SL 300 dpi	G32433M	1
2	Printhead Data Cable For 105SL Configuration Formats: 10500-2XXX-XXXX & 10500-3XXX-XXXX	37937	1
2	Printhead Data Cable For 105SL Configuration Formats: 10500-0XXX-XXXX & 10500-1XXX-XXXX	32075	1
3	Printhead Power Cable For 105SL Configuration Formats: 10500-2XXX-XXXX & 10500-3XXX-XXXX	34578	1
3	Printhead Power Cable For 105SL Configuration Formats: 10500-0XXX-XXXX & 10500-1XXX-XXXX	32080	1
4	Printhead Ground Cable	37875	1
5	Kit Pivot Bar (includes Toggle Assembly)	G32034M	1
6	Kit Printhead Toggle Assembly	35099M	1

Platen Rollers



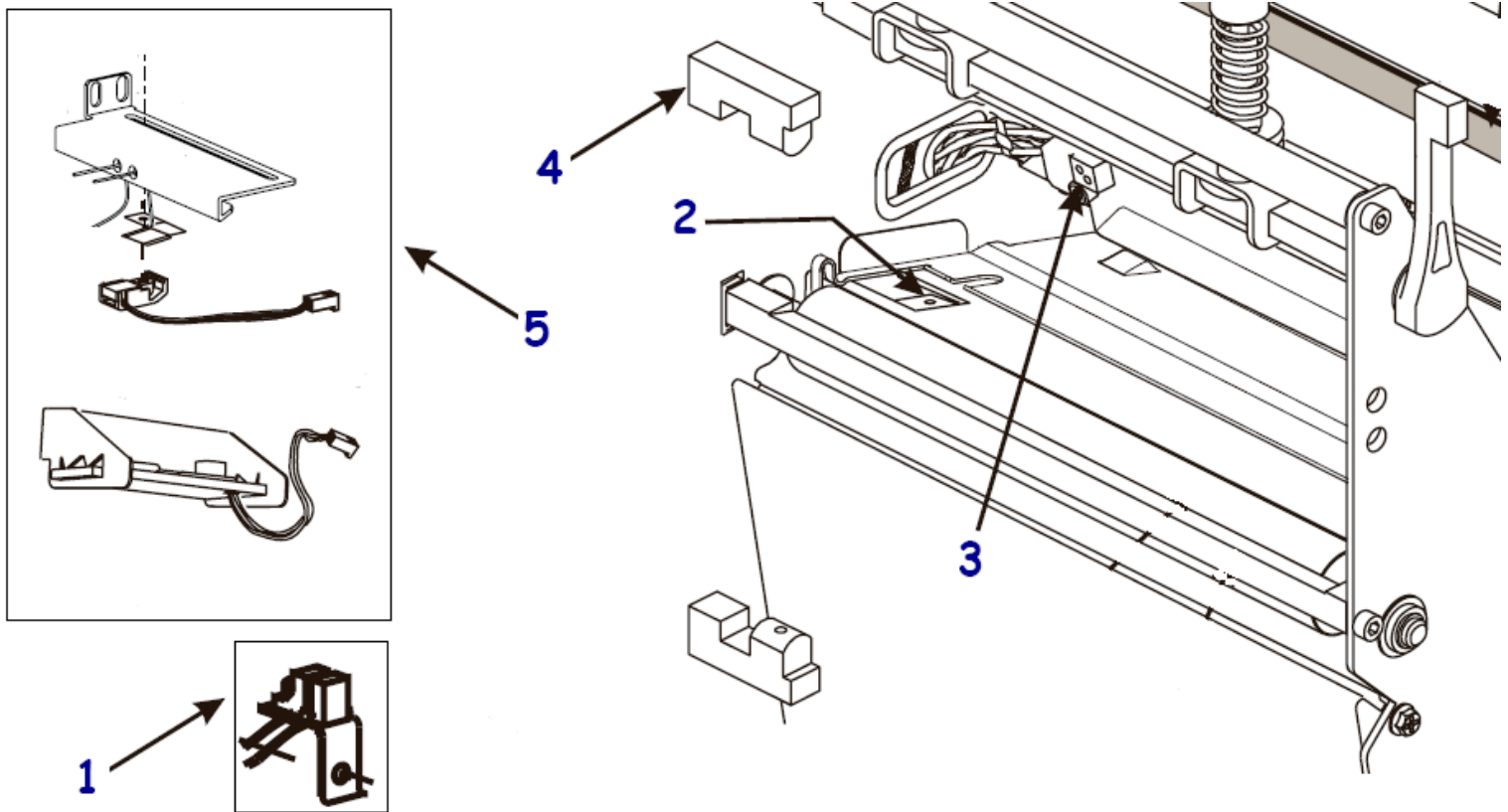
Item Number	Description	Part Number	Kit Quantity
1	Kit Platen Roller	G32011M	1
2	Kit Lower Peel Roller	G32101M	1

Drive System Components



Item Number	Description	Part Number	Kit Quantity
1	Kit DC Stepper Motor w/Pulley 203 DPI	G46198M	1
1	Kit DC Stepper Motor w/Pulley 300 DPI	G46199M	1
2	Main Drive Belt	45189-22	1
3	Media Rewind Belt	45189-2	1
4	Kit Platen Pulley	40355M	1
5	Kit Peel Roller Pulley	30914M	1
6	Kit Pulley for Media Take Up & Ribbon Take Up	31336M	1
7	Rewind Idler Pulley	30265	1
	Idler Pulley Shaft	30207	1

Sensors



Item Number	Description	Part Number	Kit Quantity
1	Kit Head Open Sensor	G22613M	1
2	Kit Black Mark Sensor	G38226M	1
3	Kit Ribbon Out Sensor	G46665M	1
4	Kit Take Label Sensor (Upper and Lower)	G46609-4M	1
5	Kit Media Sensor (Upper and Lower)	G32028M	1
	Kit Flag for Head Open Sensor	G46352M	1

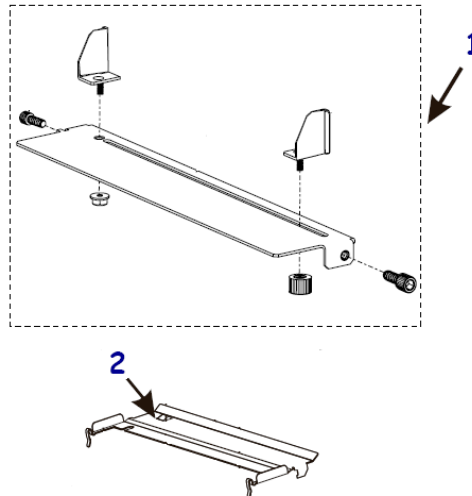
105SL Parts Catalog

Electronics

Item Number	Description	Part Number	Kit Quantity
	Kit Main Logic Board 105SL 4MB (Use with printers that have configuration 10500-2XXX-XXXX and 10500-3XXX-XXXX)	34901-020M	1
	Kit Main Logic Board 105SL 64MB (Use with printers that have configuration 10500-2XXX-XXXX and 10500-3XXX-XXXX)	34901-021M	1
	Kit PCMCIA Board Assy (Use with printers that have configuration 10500-2XXX-XXXX and 10500-3XXX-XXXX)	G33037M	1
	Kit AC/DC Power Supply (Use with printers that have configuration 10500-2XXX-XXXX and 10500-3XXX-XXXX)	P1019024	1
	IPv4 Internal Print Server 10/100 IPv4	G47480	1
	Kit Wireless Plus Board. In order to achieve wireless function, a separate radio card must be purchased (not included).	29651-003M	1
	IPv4 External Print Server 10/100 IPv4	P1031031	1
	IPv6 Internal Print Server IPv6	P1000220	1
	IPv6 External Print Server IPv6	P1000219	1
	USA Power Cord	46693	1
	Europe Power Cord	46629	1
	UK Power Cord	46637	1
	Japan Power Cord	37609	1
	China Power Cord	47612	1

105SL Parts Catalog

Media Guide – Snap Plate



Item Number	Description	Part Number	Kit Quantity
1	Kit Media Guide	G40305RM	1
2	Upper Media Guide Plate (Snap Plate)	48043-2	1
	Kit Internal Fan-Fold Supply Bin	G40457	1
	Peel/Tear Bar	33830-2	1

Liner Rewind Components

Item Number	Description	Part Number	Kit Quantity
	Kit Upgrade Liner Rewind	G33180	1
	Ribbon/Liner Take-Up Teflon J Hook	40490-2	1

Media Rewind Components

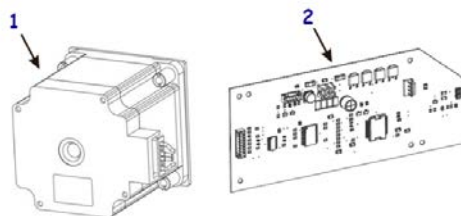
Item Number	Description	Part Number	Kit Quantity
	Kit Upgrade Media Rewind	G33181	1
	Kit Maintenance Media Rewind Spindle	G40055RM	1
	Kit Media Rewind Plate	G40383RM	1
	Media Rewind Hook	47062-2	1

105SL Parts Catalog

Cutter Components Common to All Cutter Designs

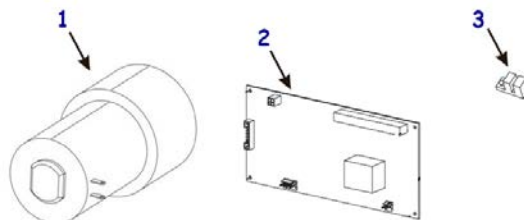
Item Number	Description	Part Number	Kit Quantity
	Kit Cutter Catch Tray (includes anti-wind tube)	G48459	1
	Cutter Static Brush 6.50 x .50	40320	1
	Kit Cutter Upper Drive Arm	46280M	1
	Kit Main Cutter Link	G30378M	1
	Kit Slotted Cutter Link	G30379M	1

Current Design Cutter Components: The parts listed below should only be used on printers using the square cutter drive motor. These parts are NOT compatible with printers using the round cutter motor.



Item Number	Description	Part Number	Kit Quantity
1	Kit Current Design Square Cutter Drive Motor	P1018258	1
2	Kit Current Design PCB with integrated sensor for Cutter	P1018261	1
	Kit Current Design Lower Drive Arm with Flag for Sensor	P1028004	1

Old Design Cutter Components: The parts listed below should only be used on printers using the round cutter drive motor. These parts are NOT compatible with printers using the square cutter motor.



Item Number	Description	Part Number	Kit Quantity
1	Kit Replacement Motor for Discontinued Old Design Round Cutter Motor	P1034326	1
2	Kit Old Design PCB for Cutter	G49730M	1
3	Kit Old Design Sensor for Cutter	G46618M	1
	Kit Old Design Lower Drive Arm with Flag for Sensor	G40380M	1

105SL Parts Catalog

Packing Materials

Item Number	Description	Part Number	Kit Quantity
	105SL Packing Material	45311PM	1
	105SL Packing Material Qty of 10	45311PBM	10

Hardware

Item Number	Description	Part Number	Kit Quantity
	Screw 6-32 .37 Lk Hx S Zn, QTY OF 100	HW32334	100
	Screw 6-32 .25, Qty of 50	HW30392-004	25
	Nut 6-32, Qty of 25	HW33809	25
	Nut 4-40 R S Zn Hx Elwash, Qty of 25	HW33823	25
	Crescent Ring Ext .250 Yel, Qty of 100	HW33810	100
	Screw 4-40 x .31, Qty of 25	HW78802	25
	Screw M4 x .7 x 5 Pn Ph Blk, Qty of 25	HW33826	25
	Bearing .500 x .252 x .250, Qty of 10	HW30198	10
	Bearing .375 x .189 x .125, Qty of 25	HW30199	25
	Washer Flt .564 x .384 x .060, Qty of 10	HW33806	10
	Screw 4-40 x .25 Tr Ph S, Qty of 25	HW32332	25
	Washer .32 x .119 x .062 Neo Bl, Qty of 25	HW30494	25
	Washer Flt .207 x .146 x .030, Qty of 10	HW30956	10
	Rubber Grommet 1.25 x .62 x .105, Qty of 10	HW46091	10
	Hole Plug, Qty of 25	HW46267	25
	Spacer PS Top Qty of 25	HW49313	25
	Spacer, Qty of 25	HW22004-1	25
	Screw 4-40 x .37, Qty of 25	HW30391-006	25
	Scrw 10-32 .312 Cp So H Bo, Qty of 25	HW30394-005	25
	Screw 4-40 x .12, Qty of 25	HW30401-002	25
	Screw 1/4 x 20 x .38 Bu So H Bo, Qty of 25	HW30405-006	25
	Screw 4-40 x .375, Qty of 25	HW30406-006	25
	Screw 6-32 x 0.5, Qty of 25	HW30407-008	25
	Screw 6-32 x .375, Qty of 25	HW30422-006	25
	Screw 6-32 0.37, Qty of 25	HW32413-006	25
	Screw 4-40 3/16, Qty of 100	HW46882-003	100
	Screw M4 x .7 x 10, Qty of 100	HWQ10011	100
	Ring E Ext .250, Qty of 100	HWQ10019	100
	Felt Washers for Ribbon Take Up Spindle Qty of 50	HW30041-1	50